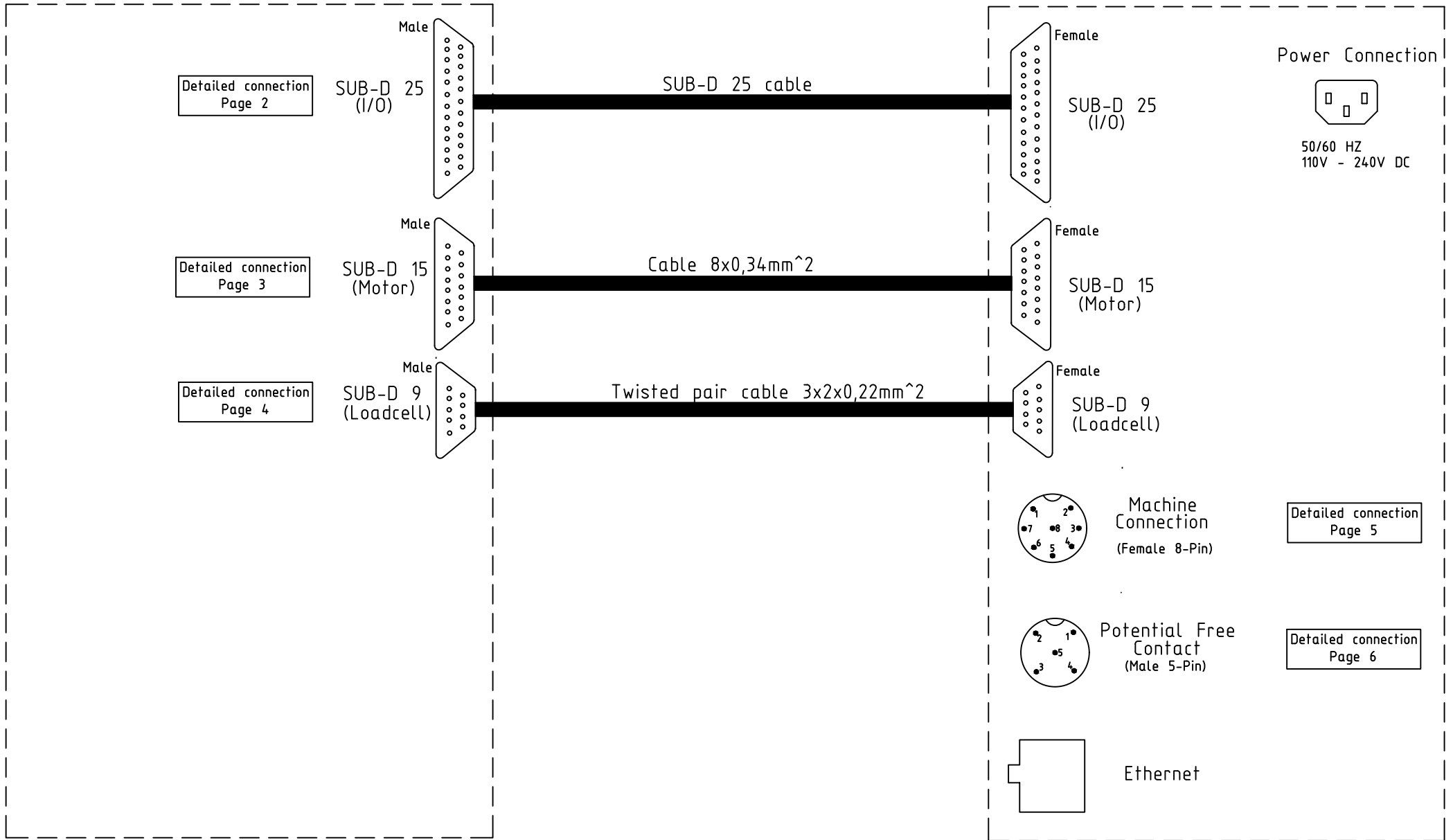


Ferlin One Housing

Ferlin One Control



Ferlin

Rudolf Dieselstraat 15A
Nijverdal
7442 DR
HOLLAND
tel. 0548-745370

PROJECT:
Ferlin One

SUBJECT:
MAIN DIAGRAM

DRAWN BY: N. Vogelzang

DATE: 6-6-2023

PROJECTNO.

PAGE: 1 OF: 6

DRAWING NUMBER:

F1CPS.0001

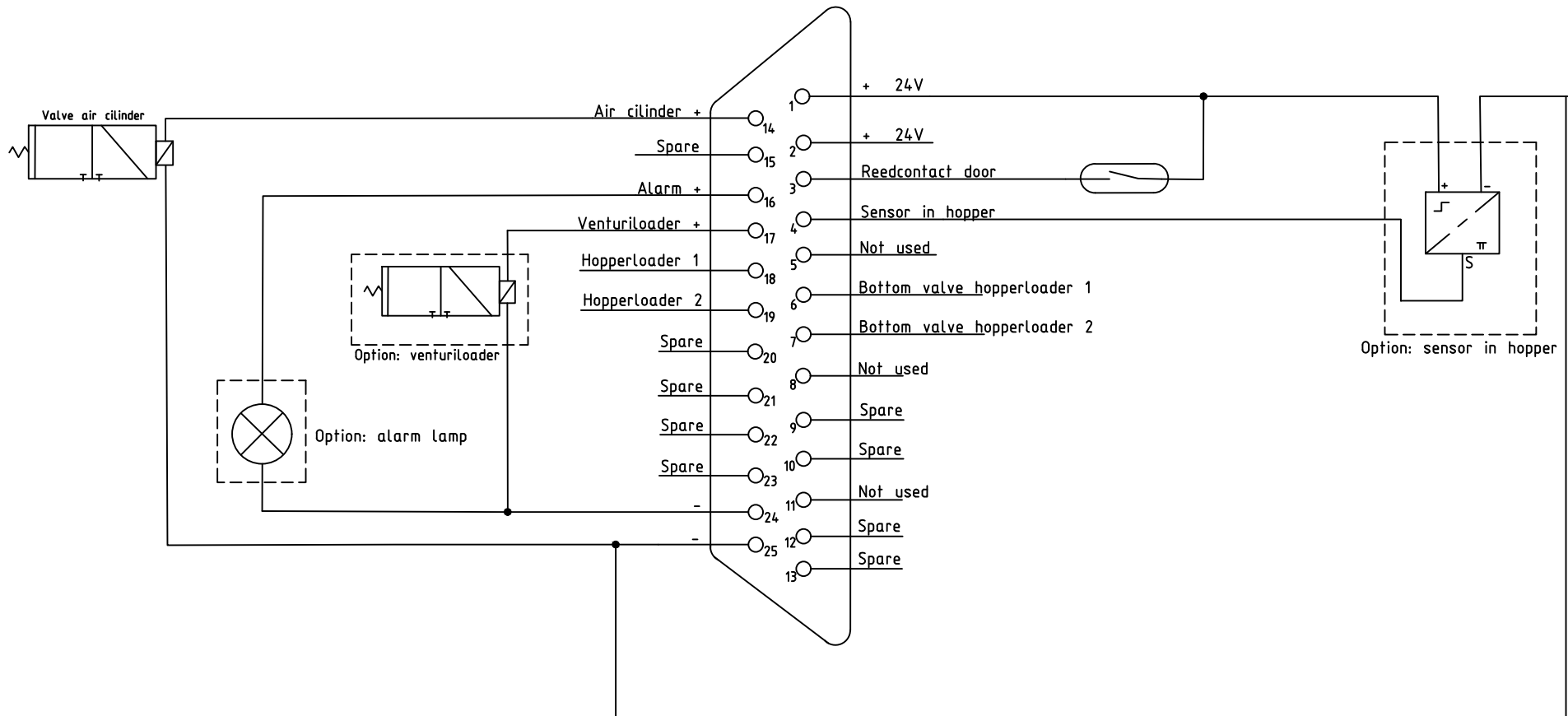
REVISION:

26-9-2023

A4

Digital output (left-side)

Digital input (right-side)



Ferlin

Rudolf Dieselstraat 15A
Nijverdal
7442 DR
HOLLAND
tel. 0548-745370

PROJECT:
Ferlin One

SUBJECT:
SUB-D 25 Connection

DRAWN BY: N. Vogelzang

DATE: 6-6-2023

PROJECTNO.

PAGE: 2 OF: 6

DRAWING NUMBER:

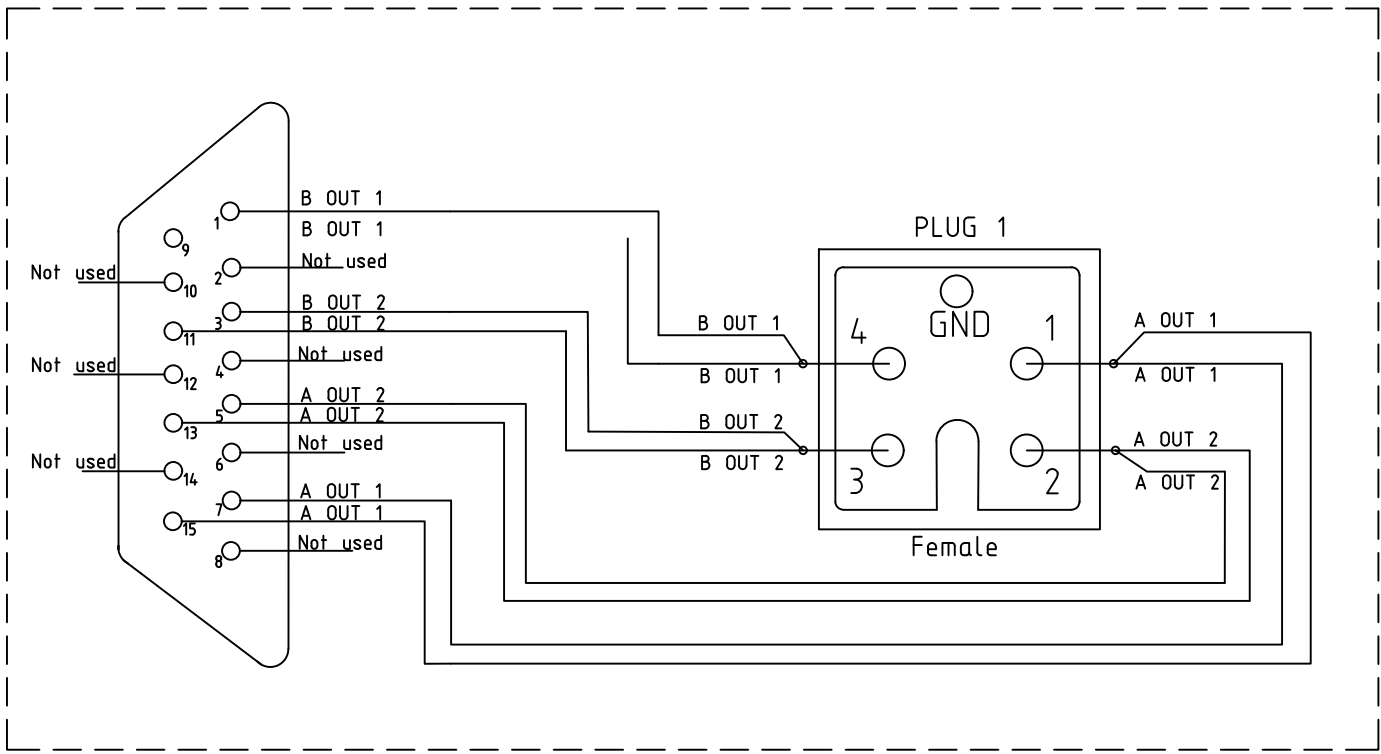
F1CPS.0001

REVISION:

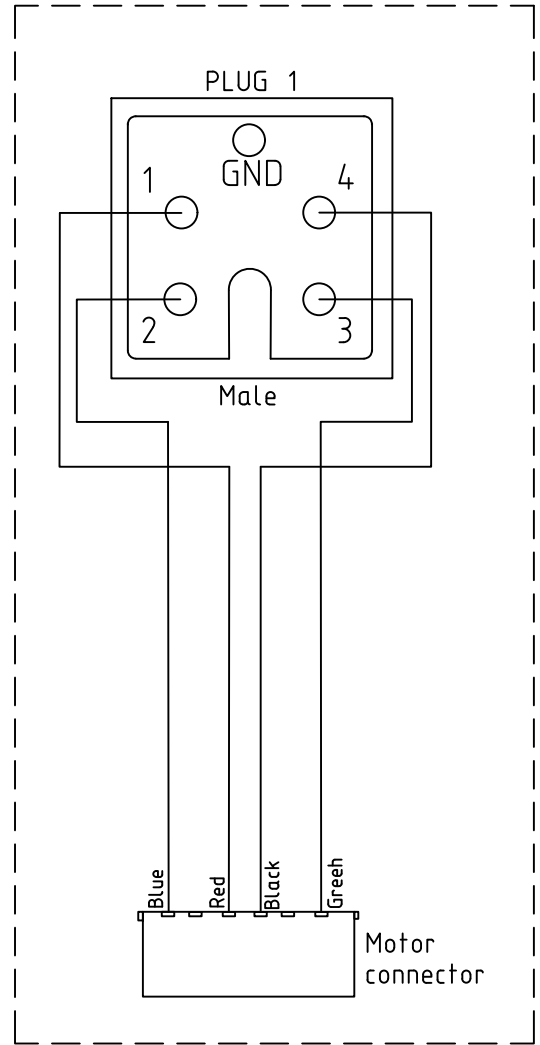
26-9-2023

A4

SUB-D 15 to housing



Housing to Ferlin One motor



Ferlin

Rudolf Dieselstraat 15A
Nijverdal
7442 DR
HOLLAND
tel. 0548-745370

PROJECT:
Ferlin One
SUBJECT:
SUB-D 15 Connection

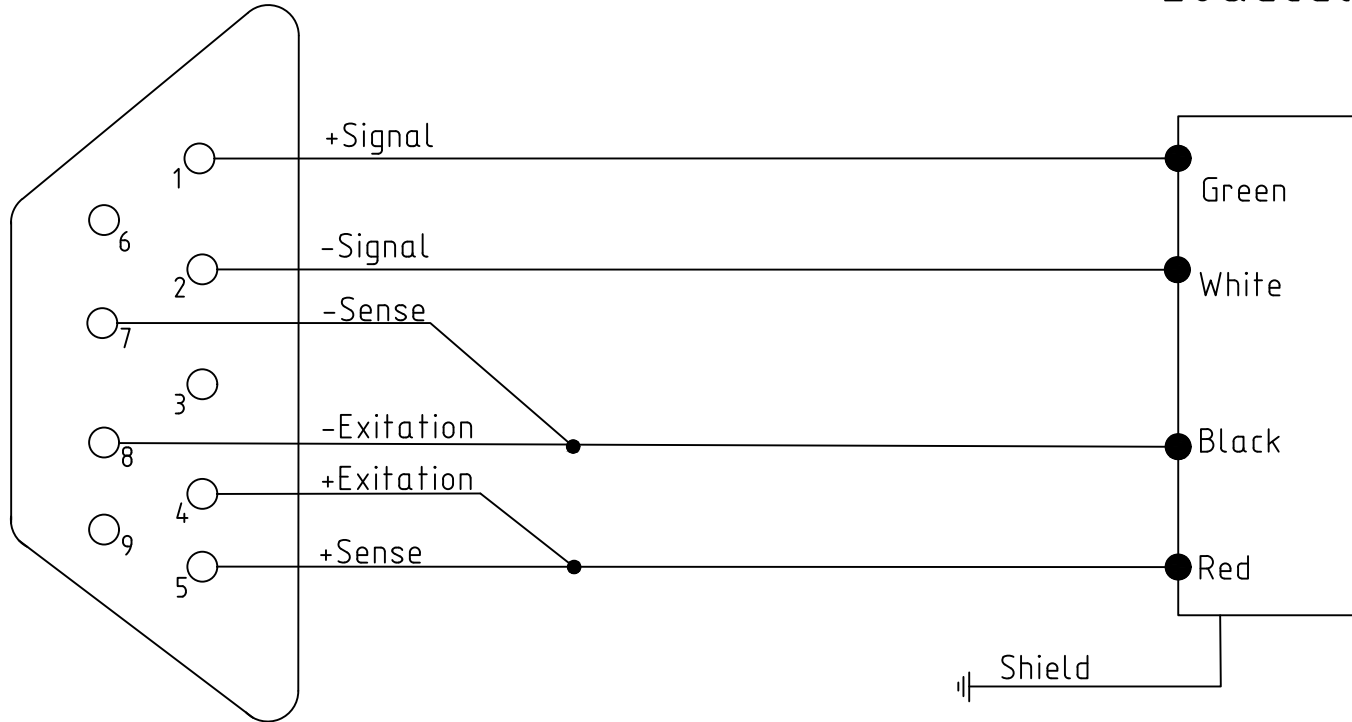
DRAWN BY: N. Vogelzang
DATE: 6-6-2023
PROJECTNO.
PAGE: 3 OF: 6

DRAWING NUMBER:
F1CPS.0001
REVISION:
26-9-2023

A4

SUB-D 9

Loadcell



Ferlin

Rudolf Dieselstraat 15A
Nijverdal
7442 DR
HOLLAND
tel. 0548-745370

PROJECT:
Ferlin One

SUBJECT:
SUB-D 9 Connection

DRAWN BY: N. Vogelzang

DATE: 6-6-2023

PROJECTNO.

PAGE: 4 OF: 6

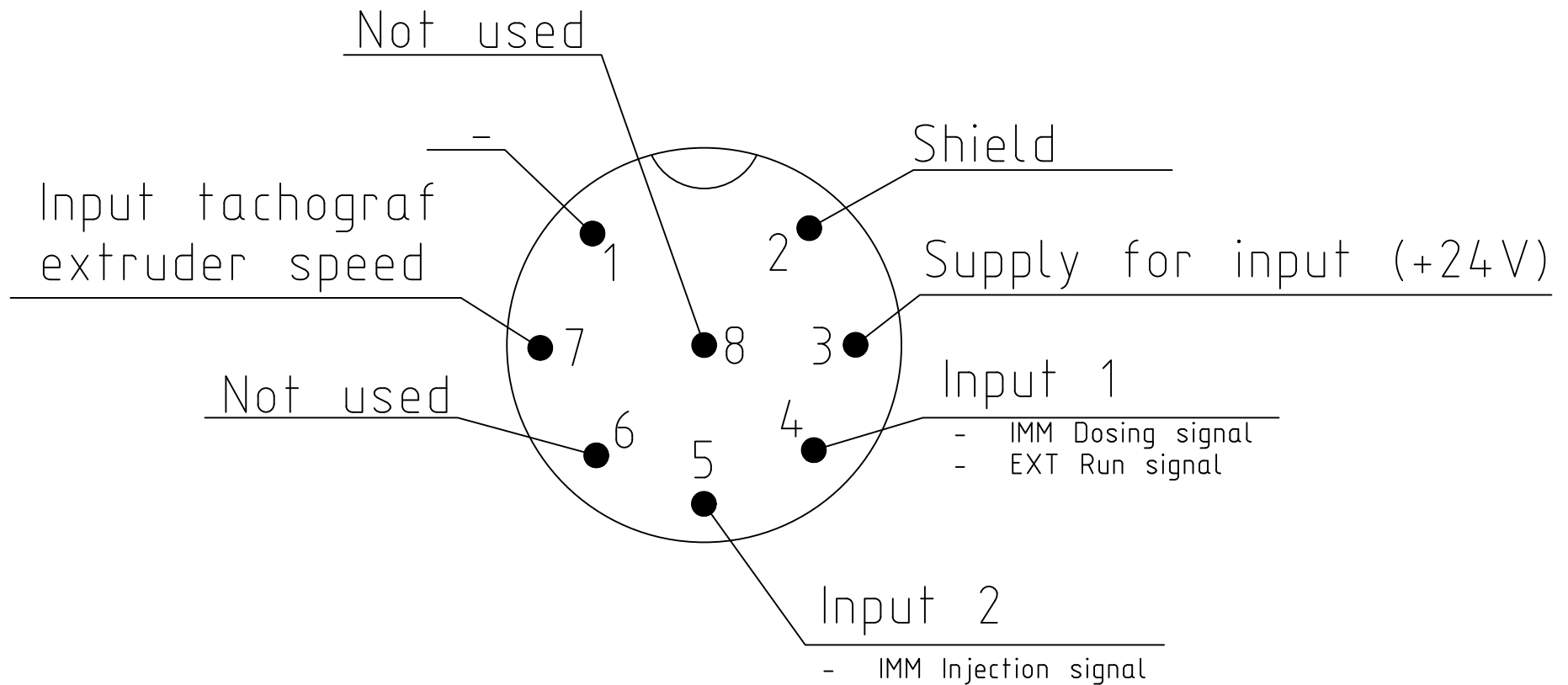
DRAWING NUMBER:

F1CPS.0001

REVISION:

26-9-2023

A4



Ferlin

Rudolf Dieselstraat 15A
 Nijverdal
 7442 DR
 HOLLAND
 tel. 0548-745370

PROJECT:
 Ferlin One

SUBJECT:
 Machine connection

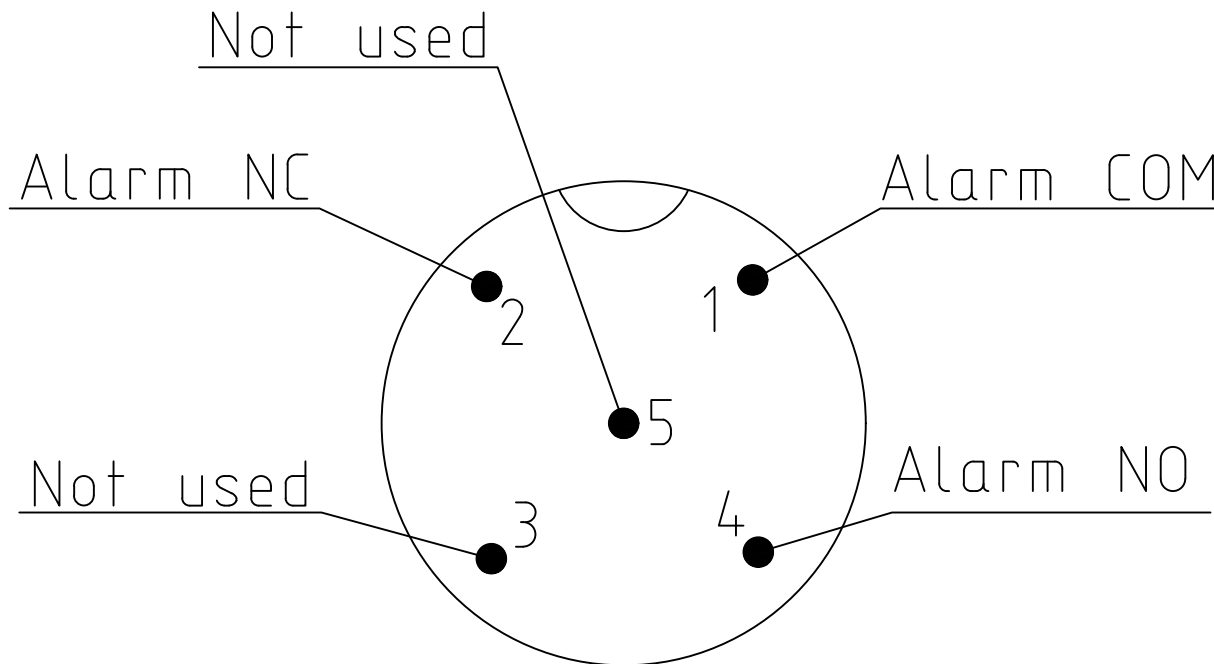
DRAWN BY: N. Vogelzang
 DATE: 6-6-2023

PROJECTNO.
 PAGE: 5 OF: 6

DRAWING NUMBER:
 F1CPS.0001

REVISION:
 26-9-2023

A4



Ferlin

Rudolf Dieselstraat 15A
 Nijverdalen
 7442 DR
 HOLLAND
 tel. 0548-745370

PROJECT:
 Ferlin One

SUBJECT:
 Potential free contact connection

DRAWN BY: N. Vogelzang
 DATE: 6-6-2023

PROJECTNO.
 PAGE: 6 OF: 6

DRAWING NUMBER:
 F1CPS.0001

REVISION:
 26-9-2023

A4